

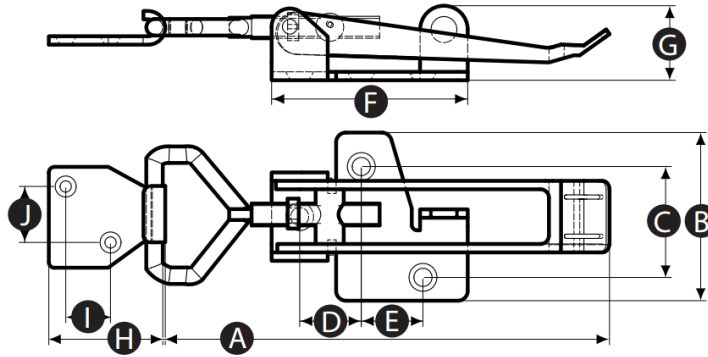
G01ML Adjustable Draw Latch

Features

- Stainless steel adjustable latch

Material

- Stainless steel 304, polished



Part No.	A	B	C	D	E	F	G	H	I	J	Hole Size
G01ML-15429Y	159 - 185	60	34	22	22	70	27	40	16	20	7

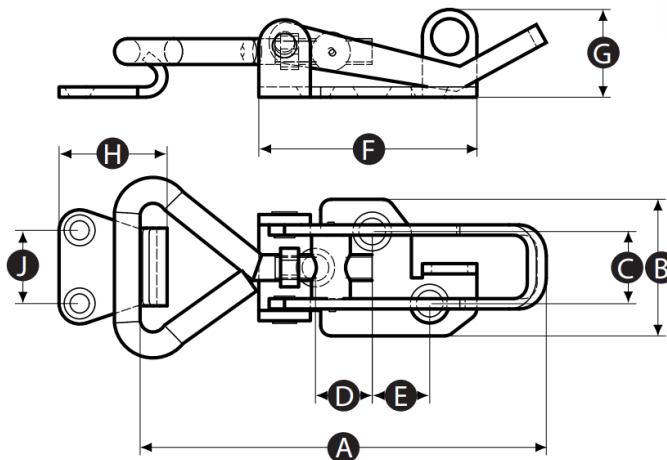
G02ML Adjustable Draw Latch

Features

- Stainless steel adjustable latch

Material

- Stainless steel 304, polished



Part No.	A	B	C	D	E	F	G	H	J	Hole Size
G02ML-15430U	65 - 79	27	14	11	11	42	17	21	14	5.8, 5.1